

CONNECT TO EXISTING PIPE w/ 2'x2'x2' PRECAST GENEVA CATCH BASIN w/ GRATE

FLOW
↓

8 INCH DIAMETER SDR-41 PIP PIPE EXTENDED 3 FEET OUT OF BOX (TYP.) (TOP OF PIPE TO BE 4 INCHES BELOW TOP OF BOX)

12 INCH DIAMETER SDR-41 PIP GASKETED PIPE (TYP.) (TOP OF PIPE TO BE 12 INCHES BELOW TOP OF BOX)

12 INCH SLIDE GATE FOR PIP PIPE ON OUTLET END OF BOX (TYP.)

IRRIGATION DIVERSION BOXES ONLY REQUIRED ON LOTS THAT HAVE A VALID IRRIGATION WATER RIGHT

IRRIGATION DIVERSION BOX 2'x2'x2' PRECAST GENEVA CATCH ON HIGH SIDE OF PROPERTY LINE OF EACH SEPARATELY OWNED LOT OR PARCEL

SMALL IRRIGATION CURB INLET BOX PER CITY DETAIL I1

**MID BLOCK IRRIGATION
DITCH PIPING DETAIL**

N.T.S.

SHEET NO.

I1

FILE:

101

MID BLOCK IRRIGATION DITCH PIPING

REVISIONS

DATE	DESCRIPTION	BY

CEDAR CITY
10 NORTH MAIN STREET
CEDAR CITY, UTAH 84720
PH. (435) 586-2963

SCALE:

N.T.S.

DATE:

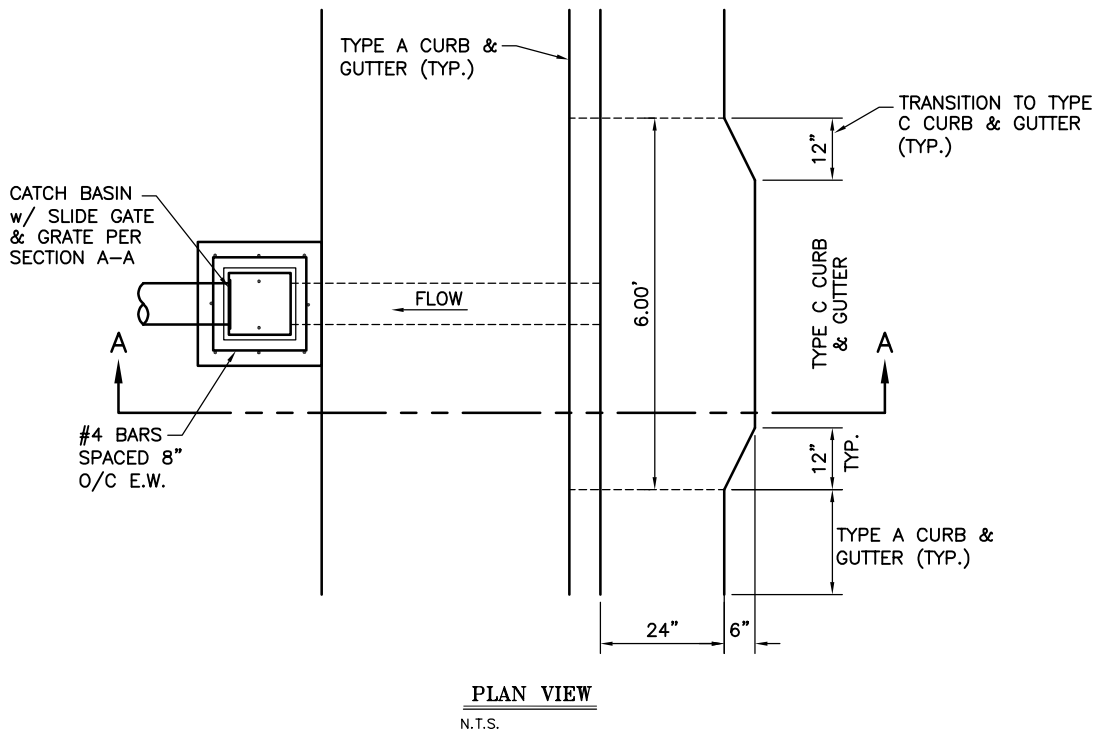
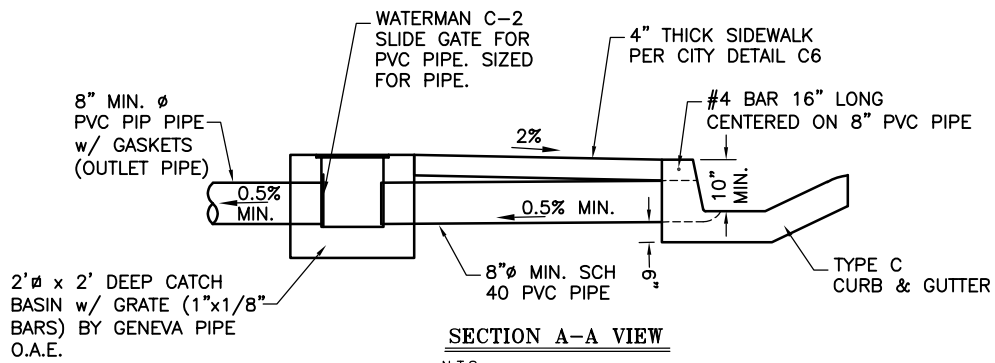
7/2021

DRAWN:

T.B.M.

CHECKED:

J.A.S.



SHEET NO.

12

FILE: 102

SMALL IRRIGATION CURB OUTLET BOX

REVISIONS

DATE	DESCRIPTION	BY

CEDAR CITY
 10 NORTH MAIN STREET
 CEDAR CITY, UTAH 84720
 PH. (435) 586-2963

SCALE:

N.T.S.

DATE:

7/2021

DRAWN:

T.B.M.

CHECKED:

J.A.S.